

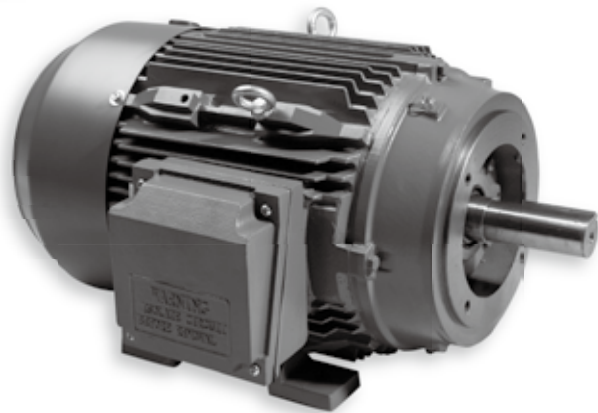
TXC Series NEMA Premium Efficiency 3-Phase Motors

1HP thru 250 HP Cast Iron TEFC

• **143T thru 449T**

FEATURES

- 208–230/460V/60Hz or 575V/60Hz
- NEMA Service Factor 1.15/1.25
- Continuous Duty 40°C Ambient
- TEFC (Totally Enclosed Fan Cooled)
- Class F Insulation With Class B Temp Rise
- Cast Iron frames
- NEMA Design B or C
- Ball Bearings
- IP55 Protection
- Up to 445T Available with Integral or Removable Feet



APPLICATIONS

- Pumps
- Compressors
- Fans
- Machine Tools
- Energy saving applications
- Other General Purpose Three Phase Applications

APPLICATIONS(Design C)

- Conveyors
- Gear Reducers
- Applications Requiring Design C Torque



NEMA EPACT & Premium Efficiency 3-Phase Cast Iron TEFC Motors

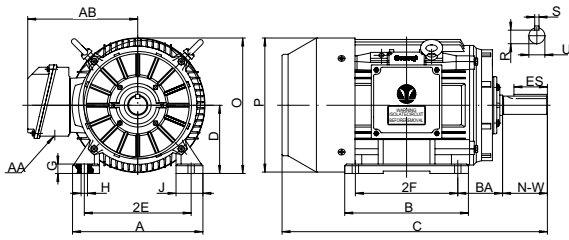


Figure 1 Foot Mounted

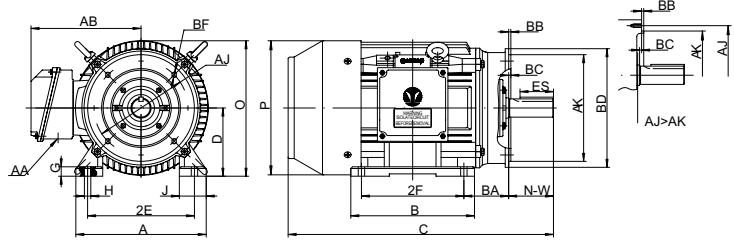


Figure 2 C-Face, Foot Mounted

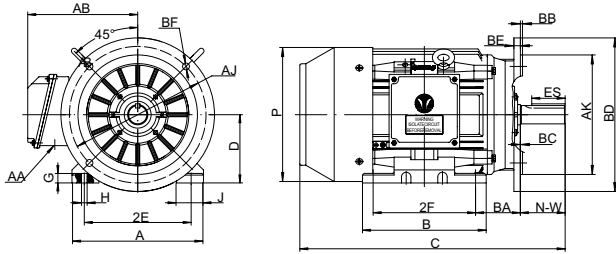


Figure 3 D-Face, Foot Mounted

Overall & Installation Dimensions

Frame	Foot Mounting								Shaft					General					
	A	B	G	J	2E	2F	H	BA	N-W	U	S	R	ES	C	D	O	AA	AB	P
143T	7	5.12	0.55	1.46	5.5	4	0.34	2.25	2.25	0.875	0.188	0.771	1.41	13	3.5	7.01	3/4	5.9	6.93
145T		6.1				5								14					
182T	9	6.1	0.675	1.77	7.5	4.5	0.41	2.75	2.75	1.125	0.25	0.986	1.78	15.5	4.5	8.83	3/4	7.17	8.66
184T						7.09								5.5					
213T	10.27	7.48	0.71	1.81	8.5	5.5	0.41	3.5	3.38	1.375	0.312	1.201	2.42	18.78	5.25	10.35	1	7.95	10.2
215T						8.98								7					
254T	12.36	10.35	0.63	2.36	10	8.25	0.53	4.25	4	1.625	0.375	1.416	2.91	24	6.25	12.44	1-1/4	10.1	12.36
256T						12.05								10					
284T	13.8	12.2	0.985	2.95	11	9.5	0.53	4.75	4.62	1.875	0.5	1.591	3.28	27.37	7	13.9	1-1/2	10.83	13.78
286T						13.7								11					
284TS	13.8	12.2	0.985	2.95	11	9.5	0.53	4.75	3.25	1.625	0.375	1.416	1.91	26	7	13.9	1-1/2	10.83	13.78
286TS						13.7								11					
324T	15.4	13	1.12	3.15	12.5	10.5	0.66	5.25	5.25	2.125	0.5	1.845	3.91	29.8	8	15.9	2	13	15.71
326T						14.5								12					
324TS	15.4	13	1.12	3.15	12.5	10.5	0.66	5.25	3.75	1.875	0.5	1.591	2.03	28.3	8	15.9	2	13	15.71
326TS						14.5								12					
364T	17.17	14.2	1.24	3.15	14	11.25	0.66	5.88	5.88	2.375	0.625	2.021	4.28	33.47	9	18	3	14.2	18.07
365T						15.2								12.25					
364TS	17.17	14.2	1.24	3.15	14	11.25	0.66	5.88	3.75	1.875	0.5	1.591	2.03	31.34	9	18	3	14.2	18.07
365TS						15.2								12.25					
404T	19.06	17.44	1.33	3.15	16	12.25	0.81	6.62	7.25	2.875	0.75	2.45	5.65	37.76	10	20	3	15.3	19.96
405T														13.75					
405TS																			
444T	21.93	20.08	1.315	3.94	18	14.5	0.81	7.5	8.5	3.375	0.875	2.88	6.91	44.05	11	22	3	18	22.01
445T														16.5					
444TS	21.93	20.08	1.315	3.94	18	14.5	0.81	7.5	4.75	2.375	0.625	2.021	3.03	40.3	11	22	3	18	22.01
445TS														16.5					
447T	21.93	28.6	1.315	3.94	18	20	0.81	7.5	8.5	3.375	0.875	2.88	6.91	52.55	11	22	3	18	22.01
449T														25					
447TS	21.93	28.6	1.315	3.94	18	20	0.81	7.5	4.75	2.375	0.625	2.021	3.03	48.8	11	22	3	18	22.01
449TS														25					

Frame	C-Face							D-Face					
	AJ	AK	BB	BC	BD	BF	AJ	AK	BB	BC	BD	BE	BF
143-145T	5.875	4.5	0.16	0.12	6.5	4*3/8-16	10.0	9.0	0.25	0	11	0.5	4*0.53
182-184T	7.25	8.5	0.25	0.12	9	4*1/2-13	10.0	9.0	0.25	0	11	0.5	4*0.53
213-215T	7.25	8.5	0.25	0.25	8.95	4*1/2-13	10.0	9.0	0.25	0	11	0.5	4*0.53
254-256T	7.25	8.5	0.25	0.25	10	4*1/2-13	12.5	11.0	0.25	0	14	0.75	4*0.81
284-286T/TS	9	10.5	0.25	0.25	11.25	4*1/2-13	12.5	11.0	0.25	0	14	0.75	4*0.81
324-326T/TS	11	12.5	0.25	0.25	14	4*5/8-11	16.0	14.0	0.25	0	18	0.75	4*0.81
364-365T/TS	11	12.5	0.25	0.25	14	8*5/8-11	16.0	14.0	0.25	0	18	0.75	4*0.81
404-405T/TS	11	12.5	0.25	0.25	15.5	8*5/8-11	20.0	18.0	0.25	0	22	1	8*0.81
444-449T/TS	14	16	0.25	0.25	18	8*5/8-11	20.0	18.0	0.25	0	22	1	8*0.81



NEMA Premium Efficiency TEFC Motor Technical Data (60Hz)

HP	Full Load Speed (r/min)	NEMA Frame	Full Load Current			Eff. 100%FL	Power Factor (cosΦ)	Full Load Torque lbf-ft	KVA Code	Locked Rotor		BDT (%FL)	Service Factor	Moment of inertia (lb'ft ²)
			I _L 230V (A)	I _L 460V (A)	I _L 575V (A)					LRA 230V (A)	LRT (%FL)			
1	3450	143T	3.04	1.52	1.22	77	0.8	1.52	L	23	241	326	1.25	0.0278
	1735	143T	3.00	1.50	1.20	85.5	0.73	3.03	J	19	224	270	1.25	0.0657
	1150	145T	3.39	1.69	1.36	82.5	0.67	4.57	H	17	213	248	1.25	0.1153
1.5	3450	143T	4.00	2.00	1.61	84	0.83	2.28	K	32	312	346	1.25	0.0373
	1715	145T	4.33	2.16	1.73	86.5	0.75	4.60	L	34	311	351	1.25	0.0885
	1150	182T	4.79	2.40	1.92	87.5	0.67	6.85	L	35	256	362	1.25	0.4286
2	3450	145T	5.15	2.58	2.06	85.5	0.85	3.05	L	47	283	362	1.25	0.0470
	1730	145T	5.55	2.78	2.22	86.5	0.78	6.07	K	42	282	304	1.25	0.1113
	1150	184T	6.22	3.11	2.49	88.5	0.68	9.14	L	46	270	346	1.25	0.5700
3	3510	182T	7.30	3.65	2.92	86.5	0.89	4.49	K	62	462	328	1.25	0.1115
	1755	182T	7.95	3.97	3.18	89.5	0.79	8.98	L	71	288	384	1.25	0.2831
	1170	213T	8.84	4.42	3.54	89.5	0.71	13.47	L	68	253	336	1.25	1.0268
5	3510	184T	11.76	5.88	4.70	88.5	0.9	7.48	L	121	275	382	1.25	0.1607
	1745	184T	12.60	6.30	5.04	89.5	0.83	15.05	K	108	253	362	1.25	0.3669
	1165	215T	13.77	6.88	5.51	89.5	0.76	22.55	K	105	241	318	1.25	1.2912
7.5	3520	213T	17.24	8.62	6.90	89.5	0.91	11.19	J	149	213	319	1.25	0.3479
	1750	213T	18.23	9.12	7.29	91.7	0.84	22.52	L	181	264	383	1.25	0.9082
	1170	254T	20.31	10.15	8.12	91	0.76	33.68	J	143	214	253	1.25	2.0700
10	3520	215T	22.57	11.28	9.03	90.2	0.92	14.93	K	214	245	346	1.25	0.4533
	1750	215T	24.00	12.00	9.61	91.7	0.85	30.02	L	248	274	383	1.25	1.1149
	1170	256T	26.73	13.36	10.69	91	0.77	44.91	J	188	204	249	1.25	2.6008
15	3540	254T	35.1	17.54	14.0	91	0.88	22.26	L	345	238	363	1.25	1.2283
	1760	254T	36.2	18.10	14.5	92.4	0.84	44.78	K	329	269	344	1.25	2.2164
	1175	284T	40.3	20.15	16.1	91.7	0.76	67.07	M	410	281	268	1.25	5.7264
20	3530	256T	45.2	22.61	18.1	91	0.91	29.77	K	425	289	321	1.25	1.3261
	1760	256T	45.8	22.88	18.3	93	0.88	59.71	K	406	255	315	1.25	2.7824
	1175	286T	51.1	25.53	20.4	91.7	0.8	89.43	L	481	280	338	1.25	6.6386
25	3550	284TS	60.1	30.03	24.0	91.7	0.85	37.00	M	664	322	445	1.25	1.8016
	1770	284T	58.8	29.42	23.5	93.6	0.85	74.21	K	551	275	356	1.25	3.5714
	1180	324T	61.4	30.69	24.6	93	0.82	111.32	M	670	313	356	1.25	9.3474
30	3550	286TS	70.4	35.21	28.2	91.7	0.87	44.40	L	725	286	363	1.25	1.9359
	1770	286T	69.0	34.49	27.6	93.6	0.87	89.05	K	618	276	327	1.25	4.0399
	1180	326T	72.8	36.39	29.1	93	0.83	133.58	M	833	309	408	1.25	10.6666
40	3560	324TS	90.1	45.04	36.0	92.4	0.9	59.04	H	669	220	240	1.25	3.3692
	2770	324T	97.1	48.54	38.8	94.1	0.82	75.87	L	1004	373	343	1.25	7.1424
	1180	364T	93.6	46.82	37.5	94.1	0.85	178.11	J	778	264	287	1.15	15.8991
50	3560	326TS	113.1	56.56	45.2	93	0.89	73.79	H	853	276	291	1.25	4.0145
	1770	326T	118.0	58.98	47.2	94.5	0.84	148.42	K	1125	335	331	1.25	8.3396
	1180	365T	119.9	59.94	48.0	94.1	0.83	222.63	H	849	224	245	1.15	18.2263
60	3560	364TS	136.4	68.20	54.6	93.6	0.88	88.55	L	1451	431	359	1.15	7.2912
	1775	364T	135.9	67.97	54.4	95	0.87	177.61	L	1478	353	320	1.15	16.1862
	1185	404T	141.5	70.77	56.6	94.5	0.84	266.03	J	1113	238	242	1.15	28.8796
75	3560	365TS	166.7	83.36	66.7	93.6	0.9	110.69	K	1651	362	328	1.15	8.5000
	1775	365T	167.3	83.65	66.9	95.4	0.88	222.01	L	1727	325	378	1.15	18.9957
	1185	405T	172.8	86.41	69.1	94.5	0.86	332.54	H	1279	215	247	1.15	34.1302
100	3570	405TS	218.7	109.34	87.5	94.1	0.91	147.18	K	2110	288	306	1.15	11.8424
	1780	405T	230.9	115.47	92.4	95.4	0.85	295.18	K	2240	336	291	1.15	20.8694
	1180	444T	229.2	114.60	91.7	95	0.86	445.27	H	1724	216	202	1.15	76.1733
125	3575	444TS	-	136.89	109.5	95	0.9	183.71	K	2738	350	438	1.15	22.3970
	1780	444T	-	142.65	114.1	95.4	0.86	368.97	L	2853	350	355	1.15	45.1563
	1180	445	-	148.43	118.7	95	0.83	556.59	L	2870	300	350	1.15	84.8372
150	3575	445TS	-	164.27	131.4	95	0.9	220.45	K	3285	350	400	1.15	25.9333
	1780	445T	-	168.51	134.8	95.8	0.87	442.77	K	3370	350	400	1.15	55.5355
	1180	447T	-	183.26	146.6	95.8	0.8	667.90	L	3490	300	250	1.15	102.6656
200	3575	447TS	-	218.10	174.5	95.4	0.9	293.94	K	4362	350	400	1.15	30.7095
	1780	447T	-	223.75	179.0	96.2	0.87	590.36	K	4475	350	280	1.15	71.6045
	1180	449T	-	232.70	186.2	95.8	0.84	890.54	K	4090	260	250	1.15	123.7071
250	3575	449TS	-	271.49	217.2	95.8	0.9	367.42	K	5430	350	400	1.15	36.8791
	1780	449T	-	273.40	218.7	96.2	0.89	737.95	K	5468	350	230	1.15	85.4436

NEMA EPACT Efficiency TEFC Motors Technical Data—Design C

HP	Full Load Speed (r/min)	NEMA Frame	Conn	Code	Current at 460V		Torque			Efficiency Full Load (%)
					Full Load (A)	Locked Rotor (A)	Full Load LB-FT	Locked Rotor (%)	Break Down (%)	
1	3450	143T	2Y/Y	N	1.4	15	1.5	245	225	74.0
	1720	143T	2Y/Y	N	1.7	15	3.1	285	200	73.0
	1150	145T	2Y/Y	N	2.0	15	4.6	255	225	72.0
1.5	3450	143T	2Y/Y	M	2.1	20	2.2	240	225	78.0
	1720	145T	2Y/Y	M	2.4	20	4.5	285	200	77.0
	1150	182T	2Y/Y	M	2.6	20	6.8	250	225	72.0
2	3450	145T	2Y/Y	L	2.8	25	3.0	240	225	79.0
	1720	145T	2Y/Y	L	3.1	25	6.1	285	200	78.5
	1150	184T	2Y/Y	L	3.3	25	9.2	250	225	78.5
3	3450	182T	2Y/Y	K	4.0	32	4.5	240	225	80.0
	1720	182T	2Y/Y	K	4.3	32	9.0	270	200	82.5
	1150	213T	2Y/Y	K	4.7	32	13.5	250	225	81.5
5	3450	184T	2Y/Y	J	6.4	46	7.5	240	200	82.0
	1720	184T	2Y/Y	J	6.9	46	15.2	255	200	82.5
	1150	215T	2Y/Y	J	8.3	46	22.6	250	200	82.5
7.5	3450	213T	2Y/Y	H	9.4	64	11.2	215	200	83.0
	1720	213T	2Y/Y	H	9.9	64	22.5	250	200	84.0
	1150	254T	2Y/Y	H	11.2	64	33.8	225	190	86.5
10	3450	215T	2Y/Y	H	12.2	81	15.0	215	190	84.0
	1720	215T	2Y/Y	H	13.0	81	30.5	250	200	84.0
	1150	256T	2Y/Y	H	15.0	81	45.0	225	190	86.5
15	3450	254T	2Δ/Δ	G	18.4	116	22.5	200	180	87.0
	1720	254T	2Δ/Δ	G	19.7	116	45.4	225	200	87.5
	1150	284T	2Δ/Δ	G	20.3	116	66.8	210	190	88.5
20	3450	256T	2Δ/Δ	G	23.1	145	29.8	180	180	86.5
	1720	256T	2Δ/Δ	G	24.7	145	60.0	200	200	87.5
	1150	286T	2Δ/Δ	G	25.8	145	89.4	200	190	88.5
25	3450	284TS	2Δ/Δ	G	28.9	183	37.2	200	190	89.5
	1720	284T	2Δ/Δ	G	29.6	183	74.2	200	190	89.5
	1150	324T	2Δ/Δ	G	31.9	183	111.3	200	190	89.5
30	3450	286TS	2Δ/Δ	G	34.5	218	44.4	200	190	91.0
	1720	286T	2Δ/Δ	G	35.5	218	89.1	200	190	91.0
	1150	326T	2Δ/Δ	G	38.0	218	133.6	200	190	91.0
40	3450	324TS	2Δ/Δ	G	46.5	290	59.1	200	190	90.2
	1720	324T	2Δ/Δ	G	47.1	290	118.7	200	190	91.0
	1150	364T	2Δ/Δ	G	48.4	290	178.1	200	190	91.0
50	3450	326TS	2Δ/Δ	G	58.4	363	73.8	200	190	91.0
	1720	326T	2Δ/Δ	G	59.2	363	148.4	200	190	91.7
	1150	365T	2Δ/Δ	G	60.5	363	222.6	200	190	91.0
60	3450	364TS	2Δ/Δ	G	64.5	435	88.6	200	190	91.7
	1720	364T	2Δ/Δ	G	69.4	435	177.6	200	190	91.7
	1150	404T	2Δ/Δ	G	70.2	435	266.0	200	190	91.7
75	3450	365TS	2Δ/Δ	G	84.3	543	110.0	200	190	91.7
	1720	365T	2Δ/Δ	G	86.2	543	222.0	200	190	92.4
	1150	405T	2Δ/Δ	G	87.7	543	333.0	200	190	91.7
100	3450	405TS	2Δ/Δ	G	100.2	725	147.2	200	190	91.8
	1720	405T	2Δ/Δ	G	114.0	725	295.2	200	190	92.4
	1150	444T	2Δ/Δ	G	116.0	725	445.2	200	190	91.7
125	3450	444TS	2Δ/Δ	G	137.0	908	183.7	200	190	92.4
	1720	444T	2Δ/Δ	G	141.0	908	368.3	200	190	92.4
	1150	445T	2Δ/Δ	G	145.0	908	556.5	200	190	92.4
150	3450	445TS	2Δ/Δ	G	164.0	1085	220.4	200	190	93.0
	1720	445T	2Δ/Δ	G	169.0	1085	442.0	200	190	93.0
	1150	447T	2Δ/Δ	G	170.0	1085	668.0	200	190	92.4
200	3450	447TS	Δ	G	215.0	1450	294.0	200	190	93.6
	1720	447T	Δ	G	223.0	1450	589.3	200	190	93.0

IEC MOTOR

FIRE PUMP MOTOR

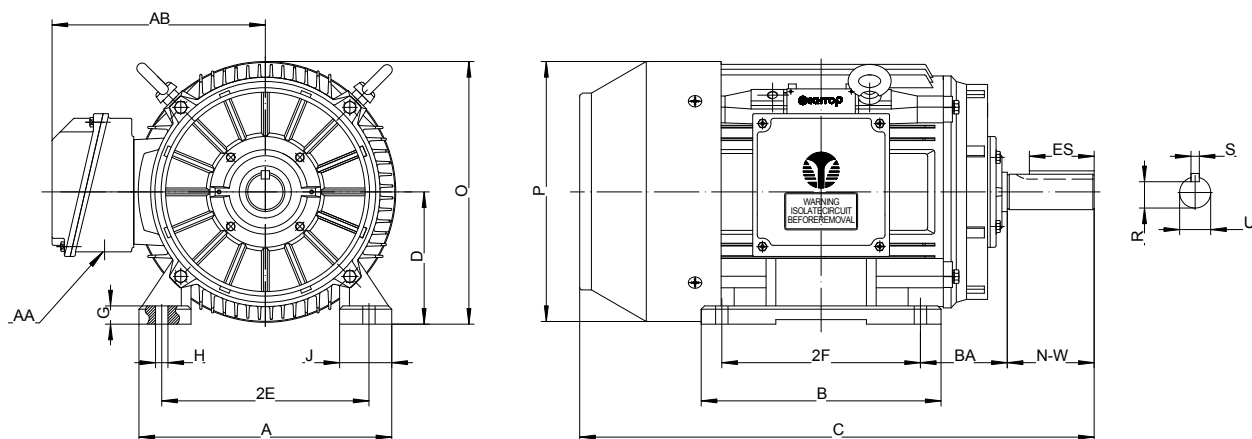
GOST MOTOR

NEMA MOTOR

DC MOTOR

EC MOTOR

T XC Series Motors Dimensional Drawings



Foot Mounted Figure 1

O verall & Installation Dimensions

Frame	Foot Mounting								Shaft					General										
	A	B	G	J	2E	2F	H	BA	N-W	U	S	R	ES	C	D	O	AA	AB	P					
143T	7	5.12	0.55	1.46	5.5	4	0.34	2.25	2.25	0.875	0.188	0.771	1.41	13	3.5	7.01	3/4	5.9	6.93					
145T		6.1				5								14										
182T	9	6.1	0.675	1.77	7.5	4.5	0.41	2.75	2.75	1.125	0.25	0.986	1.78	15.5	4.5	8.83	3/4	7.17	8.66					
184T		7.09				5.5								16.5										
213T	10.27	7.48	0.71	1.81	8.5	5.5	0.41	3.5	3.38	1.375	0.312	1.201	2.42	18.78	5.25	10.35	1	7.95	10.2					
215T		8.98				7								20.28										
254T	12.36	10.35	0.63	2.36	10	8.25	0.53	4.25	4	1.625	0.375	1.416	2.91	24	6.25	12.44	1-1/4	10.1	12.36					
256T		12.05				10								25.73										
284T	13.8	12.2	0.985	2.95	11	9.5	0.53	4.75	4.62	1.875	0.5	1.591	3.28	27.37	7	13.9	1-1/2	10.83	13.78					
286T		13.7				11								28.87										
284TS	13.8	12.2	0.985	2.95	11	9.5	0.53	4.75	3.25	1.625	0.375	1.416	1.91	26	7	13.9	1-1/2	10.83	13.78					
286TS		13.7				11								27.5										
324T	15.4	13	1.12	3.15	12.5	10.5	0.66	5.25	5.25	2.125	0.5	1.845	3.91	29.8	8	15.9	2	13	15.71					
326T		14.5				12								31.3										
324TS	15.4	13	1.12	3.15	12.5	10.5	0.66	5.25	3.75	1.875	0.5	1.591	2.03	28.3	8	15.9	2	13	15.71					
326TS		14.5				12								29.8										
364T	17.17	14.2	1.24	3.15	14	11.25	0.66	5.88	5.88	2.375	0.625	2.021	4.28	33.47	9	18	3	14.2	18.07					
365T		15.2				12.25								34.47										
364TS	17.17	14.2	1.24	3.15	14	11.25	0.66	5.88	3.75	1.875	0.5	1.591	2.03	31.34	9	18	3	14.2	18.07					
365TS		15.2				12.25								32.34										
404T	19.06	17.44	1.33	3.15	16	12.25	0.81	6.62	7.25	2.875	0.75	2.45	5.65	37.76	10	20	3	15.3	19.96					
405T						13.75			4.25					2.125						0.5	1.845	2.78	34.77	
405TS																								
444T	21.93	20.08	1.315	3.94	18	14.5	0.81	7.5	8.5	3.375	0.875	2.88	6.91	44.05	11	22	3	18	22.01					
445T						16.5																		
444TS	21.93	20.08	1.315	3.94	18	14.5	0.81	7.5	4.75	2.375	0.625	2.021	3.03	40.3	11	22	3	18	22.01					
445TS						16.5																		
447T	21.93	28.6	1.315	3.94	18	20	0.81	7.5	8.5	3.375	0.875	2.88	6.91	52.55	11	22	3	18	22.01					
449T						25																		
447TS						20																		
449TS	25													48.8										

TXC Serie Fire Pump Motors' Main Performance Parameters(NEMA 50Hz)

Serial NO.	Model NO.	Current (A)380V	Current (A)415V	Output (HP)	Hz/DC	Locked current A (standard) 380V	Locked current A(standard) 415V	Locked torque multiple (standard) %	Maximum torque multiple (standard) %	Minimum torque multiple (standard) %	Service factor	INS class	RPM	EFF %	Power factor
1	TXC 143T1U2B	1.8	1.6	1	50	20	18.3	175	250	120	1.15	F	2875	72.1	0.88
2	TXC 143T1.5U2B	2.6	2.4	1.5	50	27	24.7	175	250	120	1.15	F	2875	75	0.88
3	TXC 145T2U2B	3.3	3.0	2	50	34	31.1	170	240	120	1.15	F	2875	77.2	0.89
4	TXC 182T3U2B	4.8	4.4	3	50	43	39.4	160	230	110	1.15	F	2925	79.7	0.89
5	TXC 184T5U2B	7.9	7.2	5	50	61	55.9	150	215	105	1.15	F	2925	81.5	0.89
6	TXC 213T7.5U2B	11.3	10.4	7.5	50	84	76.9	140	200	100	1.15	F	2933	84.7	0.89
7	TXC 215T10U2B	14.9	13.6	10	50	107	98.0	135	200	100	1.15	F	2933	86	0.89
8	TXC 254T15U2B	21.7	19.9	15	50	154	141.0	130	200	100	1.15	F	2950	87.6	0.9
9	TXC 256T20U2B	28.5	26.1	20	50	194	177.6	130	200	100	1.15	F	2950	88.7	0.9
10	TXC 284TS25U2B	35.4	32.5	25	50	243	222.5	130	200	100	1.15	F	2958	89.3	0.9
11	TXC 286TS30U2B	42.3	38.7	30	50	289	264.6	130	200	100	1.15	F	2958	89.9	0.9
12	TXC 324TS40U2B	55.2	50.6	40	50	387	354.4	125	200	100	1.15	F	2967	90.7	0.91
13	TXC 326TS50U2B	68.7	62.9	50	50	482	441.3	120	200	100	1.15	F	2967	91.2	0.91
14	TXC364TS60U2B	81.9	75.0	60	50	578	529.3	120	200	100	1.15	F	2967	91.7	0.91
15	TXC365TS75U2B	100.9	92.4	75	50	722	661.1	105	200	95	1.15	F	2967	92.1	0.92
16	TXC405TS100U2B	133.6	122.3	100	50	965	883.6	105	200	95	1.15	F	2975	92.7	0.92
17	TXC444TS125U2B	166.5	152.4	125	50	1207	1105.2	100	200	90	1.15	F	2979	93	0.92
18	TXC445TS150U2B	197.0	180.4	150	50	1441	1319.5	100	200	90	1.15	F	2979	93.3	0.93
19	TXC447TS200U2B	262.1	240.0	200	50	1927	1764.5	100	200	90	1.15	F	2979	93.5	0.93
20	TXC449TS250U2B	326.6	299.0	250	50	2534	2320.3	70	175	65	1.15	F	2979	93.8	0.93
21	TXC449TS300U2B	391.1	358.1	300	50	3026	2770.8	70	175	65	1.15	F	2979	94	0.93
22	TXC586/7TS350U2B	456.2	417.8	350	50	3542	3243.3	70	175	65	1.15	F	2980	94	0.93
23	TXC586/7TS400U2B	521.4	477.4	400	50	4046	3704.8	70	175	65	1.15	F	2981	94	0.93
24	TXC586/7TS450U2B	586.6	537.1	450	50	4539	4156.2	70	175	65	1.15	F	2982	94	0.93
25	TXC 143T1U4B	1.8	1.6	1	50	20	18.3	275	300	190	1.15	F	1442	72.1	0.88
26	TXC 145T1.5U4B	2.6	2.4	1.5	50	27	24.7	250	280	175	1.15	F	1442	75	0.88
27	TXC 145T2U4B	3.4	3.1	2	50	34	31.1	235	270	165	1.15	F	1442	77.2	0.88
28	TXC 182T3U4B	4.9	4.5	3	50	43	39.4	215	250	150	1.15	F	1446	79.7	0.88
29	TXC 184T5U4B	7.9	7.3	5	50	61	55.9	185	225	130	1.15	F	1446	81.5	0.88
30	TXC 213T7.5U4B	11.5	10.5	7.5	50	84	76.9	175	215	120	1.15	F	1450	84.7	0.88
31	TXC 215T10U4B	15.1	13.8	10	50	107	98.0	165	200	115	1.15	F	1450	86	0.88
32	TXC 254T15U4B	21.9	20.1	15	50	154	141.0	160	200	110	1.15	F	1458	87.6	0.89
33	TXC 256T20U4B	28.9	26.4	20	50	194	177.6	150	200	105	1.15	F	1458	88.7	0.89
34	TXC 284T25U4B	35.8	32.8	25	50	243	222.5	150	200	105	1.15	F	1467	89.3	0.89
35	TXC 286T30U4B	42.7	39.1	30	50	289	264.6	150	200	105	1.15	F	1467	89.9	0.89

IEC MOTOR

FIRE PUMP MOTOR

GOST MOTOR

NEMA MOTOR

DC MOTOR

EC MOTOR

T XC Serie Fire Pump Motors' Main Performance Parameters(NEMA 50Hz)

Serial NO.	Model NO.	Current (A) 380V	Current (A) 415V	Output (HP)	Hz/DC	Locked current A (standard) 380V	Locked current A(standard) 415V	Locked torque multiple (standard) %	Maximum torque multiple (standard) %	Minimum torque multiple (standard) %	Service factor	INS class	RPM	EFF %	Power factor
36	TXC 324T40U4B	56.5	51.7	40	50	387	354.4	140	200	100	1.15	F	1475	90.7	0.89
37	TXC 326T50U4B	70.2	64.3	50	50	482	441.3	140	200	100	1.15	F	1475	91.2	0.89
38	TXC364T60U4B	83.8	76.7	60	50	578	529.3	140	200	100	1.15	F	1479	91.7	0.89
39	TXC365T75U4B	103.1	94.4	75	50	722	661.1	140	200	100	1.15	F	1479	92.1	0.9
40	TXC405T100U4B	136.6	125.1	100	50	965	883.6	125	200	100	1.15	F	1483	92.7	0.9
41	TXC444T125U4B	168.3	154.1	125	50	1207	1105.2	110	200	100	1.15	F	1483	93	0.91
42	TXC445T150U4B	201.3	184.3	150	50	1441	1319.5	110	200	100	1.15	F	1483	93.3	0.91
43	TXC447T200U4B	267.9	245.3	200	50	1927	1764.5	100	200	90	1.15	F	1483	93.5	0.91
44	TXC449T250U4B	333.8	305.6	250	50	2534	2320.3	80	175	75	1.15	F	1483	93.8	0.91
45	TXC449T300U4B	399.7	365.9	300	50	3026	2770.8	80	175	75	1.15	F	1484	94	0.91
46	TXC586/7T350U4B	466.3	426.9	350	50	3542	3243.3	80	175	75	1.15	F	1485	94	0.91
47	TXC586/7T400U4B	532.9	487.9	400	50	4046	3704.8	80	175	75	1.15	F	1486	94	0.91
48	TXC586/7T450U4B	599.5	548.9	450	50	4539	4156.2	80	175	75	1.15	F	1487	94	0.91
49	TXC 145T1U6B	2.1	2.0	1	50	20	18.3	170	265	120	1.15	F	958	70	0.76
50	TXC 182T1.5U6B	3.0	2.8	1.5	50	27	24.7	165	250	115	1.15	F	958	72.9	0.77
51	TXC 184T2U6B	3.9	3.6	2	50	34	31.1	160	240	110	1.15	F	958	75.2	0.77
52	TXC 213T3U6B	5.7	5.2	3	50	43	39.4	155	230	110	1.15	F	958	77.7	0.77
53	TXC 215T5U6B	9.3	8.5	5	50	61	55.9	150	215	105	1.15	F	967	79.7	0.77
54	TXC 254T7.5U6B	13.4	12.2	7.5	50	84	76.9	150	200	105	1.15	F	967	83.1	0.77
55	TXC 256T10U6B	17.5	16.0	10	50	107	98.0	150	200	105	1.15	F	971	84.7	0.77
56	TXC 284T15U6B	25.4	23.2	15	50	154	141.0	140	200	100	1.15	F	971	86.4	0.78
57	TXC 286T20U6B	33.3	30.5	20	50	194	177.6	135	200	100	1.15	F	975	87.7	0.78
58	TXC 324T25U6B	40.7	37.3	25	50	243	222.5	135	200	100	1.15	F	975	88.6	0.79
59	TXC 326T30U6B	48.5	44.4	30	50	289	264.6	135	200	100	1.15	F	979	89.2	0.79
60	TXC364T40U6B	63.2	57.8	40	50	387	354.4	135	200	100	1.15	F	979	90.2	0.8
61	TXC365T50U6B	78.4	71.8	50	50	482	441.3	135	200	100	1.15	F	983	90.8	0.8
62	TXC404T60U6B	93.5	85.6	60	50	578	529.3	135	200	100	1.15	F	983	91.4	0.8
63	TXC405T75U6B	114.8	105.1	75	50	722	661.1	135	200	100	1.15	F	983	91.9	0.81
64	TXC444T100U6B	151.9	139.1	100	50	965	883.6	125	200	100	1.15	F	983	92.6	0.81
65	TXC445T125U6B	189.3	173.3	125	50	1207	1105.2	125	200	100	1.15	F	983	92.9	0.81
66	TXC447T150U6B	226.2	207.1	150	50	1441	1319.5	120	200	100	1.15	F	983	93.3	0.81
67	TXC449T200U6B	300.9	275.5	200	50	1927	1764.5	120	200	100	1.15	F	983	93.5	0.81
68	TXC586/7T250U6B	375.0	343.3	250	50	2534	2320.3	100	175	90	1.15	F	983	93.8	0.81
69	TXC586/7T300U6B	449.0	411.1	300	50	3026	2770.8	100	175	90	1.15	F	983	94	0.81
70	TXC586/7T350U6B	523.8	479.6	350	50	3542	3243.3	100	175	90	1.15	F	983	94	0.81
71	TXC586/7T400U6B	598.7	548.2	400	50	4046	3704.8	100	175	90	1.15	F	983	94	0.81



XC Serie Fire Pump Motors' Main Performance Parameters(NEMA 60HZ)

Serial NO.	Model NO.	Current (A) 230V	Current (A) 460V	Current (A) 380V	Current (A) 400V	Current (A) 575V	Output (HP)	Hz/ DC	Locked current A(standard) 380V	Locked current A(standard) 400V	Locked current A(standard) 575V	Locked current A(standard) 460V	Locked torque multiple (standard)%	Maximum torque multiple (standard)%	Minimum torque multiple (standard)%	Service factor	INS class	RPM	EFF %	Power factor
1	TXC 143T1U2B	2.8	1.4	1.7	1.6	1.1	1	60	18.2	17.3	12.0	15	175	250	120	1.15	F	3450	75.5	0.88
2	TXC 143T1.5U2B	3.9	1.9	2.4	2.2	1.6	1.5	60	24.2	23.0	16.0	20	175	250	120	1.15	F	3450	82.5	0.88
3	TXC 145T2U2B	5.0	2.5	3.0	2.9	2.0	2	60	30.3	28.8	20.0	25	170	240	120	1.15	F	3450	84	0.89
4	TXC 182T3U2B	7.4	3.7	4.5	4.3	3.0	3	60	38.7	36.8	25.6	32	160	230	110	1.15	F	3510	85.5	0.89
5	TXC 184T5U2B	12.1	6.0	7.3	7.0	4.8	5	60	55.7	52.9	36.8	46	150	215	105	1.15	F	3510	87.5	0.89
6	TXC 213T7.5U2B	17.9	9.0	10.9	10.3	7.2	7.5	60	76.9	73.0	50.8	63.5	140	200	100	1.15	F	3520	88.5	0.89
7	TXC 215T10U2B	23.6	11.8	14.3	13.6	9.5	10	60	98.1	93.2	64.8	81	135	200	100	1.15	F	3520	89.5	0.89
8	TXC 254T15U2B	34.8	17.4	21.1	20.0	13.9	15	60	140.4	133.4	92.8	116	130	200	100	1.15	F	3540	90.2	0.9
9	TXC 256T20U2B	46.4	23.2	28.1	26.7	18.6	20	60	175.5	166.8	116.0	145	130	200	100	1.15	F	3540	90.2	0.9
10	TXC 284TS25U2B	57.5	28.7	34.8	33.0	23.0	25	60	220.9	209.9	146.0	182.5	130	200	100	1.15	F	3550	91	0.9
11	TXC 286TS30U2B	69.0	34.5	41.7	39.7	27.6	30	60	263.3	250.1	174.0	217.5	130	200	100	1.15	F	3550	91	0.9
12	TXC 324TS40U2B	90.2	45.1	54.6	51.9	36.1	40	60	351.1	333.5	232.0	290	125	200	100	1.15	F	3560	91.7	0.91
13	TXC 326TS50U2B	112.0	56.0	67.8	64.4	44.8	50	60	438.8	416.9	290.0	362.5	120	200	100	1.15	F	3560	92.4	0.91
14	TXC364TS60U2B	133.5	66.7	80.8	76.8	53.4	60	60	526.6	500.3	348.0	435	120	200	100	1.15	F	3560	93	0.91
15	TXC365TS75U2B	165.0	82.5	99.9	94.9	66.0	75	60	656.7	623.9	434.0	542.5	105	200	95	1.15	F	3560	93	0.92
16	TXC405TS100U2B	218.6	109.3	132.3	125.7	87.5	100	60	877.6	833.8	580.0	725	105	200	95	1.15	F	3570	93.6	0.92
17	TXC444TS125U2B	-	134.1	162.3	154.2	107.3	125	60	1098.6	1043.6	726.0	907.5	100	200	90	1.15	F	3575	95.4	0.92
18	TXC445TS150U2B	-	159.0	192.5	182.8	127.2	150	60	1313.4	1247.8	868.0	1085	100	200	90	1.15	F	3575	95.5	0.93
19	TXC447TS200U2B	-	213.1	258.0	245.1	170.5	200	60	1755.3	1667.5	1160.0	1450	100	200	90	1.15	F	3575	95	0.93
20	TXC449TS250U2B	-	265.3	321.1	305.0	212.2	250	60	2209.2	2098.8	1460.0	1825	70	175	65	1.15	F	3575	95.4	0.93
21	TXC449TS300U2B	-	318.3	385.3	366.1	254.6	300	60	2663.2	2530.0	1760.0	2200	70	175	65	1.15	F	3575	95.4	0.93
22	TXC586/7TS350U2B	-	371.4	449.5	427.1	297.1	350	60	3086.8	2932.5	2040.0	2550	70	175	65	1.15	F	3576	95.4	0.93
23	TXC586/7TS400U2B	-	422.6	511.6	486.0	338.1	400	60	3510.5	3335.0	2320.0	2900	70	175	65	1.15	F	3577	95.8	0.93
24	TXC586/7TS450U2B	-	475.5	575.6	546.8	380.4	450	60	3934.2	3737.5	2600.0	3250	70	175	65	1.15	F	3578	95.8	0.93
25	TXC 143T1U4B	2.6	1.3	1.6	1.5	1.0	1	60	18.2	17.3	12.0	15	275	300	190	1.15	F	1730	82.5	0.88
26	TXC 145T1.5U4B	3.8	1.9	2.3	2.2	1.5	1.5	60	24.2	23.0	16.0	20	250	280	175	1.15	F	1730	84	0.88
27	TXC 145T2U4B	5.1	2.5	3.1	2.9	2.0	2	60	30.3	28.8	20.0	25	235	270	165	1.15	F	1730	84	0.88
28	TXC 182T3U4B	7.3	3.7	4.4	4.2	2.9	3	60	38.7	36.8	25.6	32	215	250	150	1.15	F	1735	87.5	0.88
29	TXC 184T5U4B	12.2	6.1	7.4	7.0	4.9	5	60	55.7	52.9	36.8	46	185	225	130	1.15	F	1735	87.5	0.88
30	TXC 213T7.5U4B	17.9	9.0	10.9	10.3	7.2	7.5	60	76.9	73.0	50.8	63.5	175	215	120	1.15	F	1740	89.5	0.88
31	TXC 215T10U4B	23.9	12.0	14.5	13.7	9.6	10	60	98.1	93.2	64.8	81	165	200	115	1.15	F	1740	89.5	0.88
32	TXC 254T15U4B	34.9	17.4	21.1	20.0	13.9	15	60	140.4	133.4	92.8	116	160	200	110	1.15	F	1750	91	0.89
33	TXC 256T20U4B	46.5	23.2	28.1	26.7	18.6	20	60	175.5	166.8	116.0	145	150	200	105	1.15	F	1750	91	0.89
34	TXC 284T25U4B	57.2	28.6	34.6	32.9	22.9	25	60	220.9	209.9	146.0	182.5	150	200	105	1.15	F	1760	92.4	0.89
35	TXC 286T30U4B	68.7	34.3	41.6	39.5	27.5	30	60	263.3	250.1	174.0	217.5	150	200	105	1.15	F	1760	92.4	0.89

IEC MOTOR

FIRE PUMP MOTOR

GOST MOTOR

NEMA MOTOR

DC MOTOR

EC MOTOR

TXC Serie Fire Pump Motors' Main Performance Parameters(NEMA 60HZ)

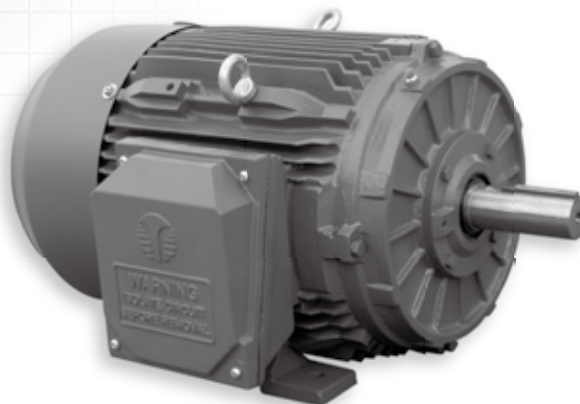
Serial NO.	Model NO.	Current (A) 230V	Current (A) 460V	Current (A) 380V	Current (A) 400V	Current (A) 575V	Output (HP)	Hz/DC	Locked current A(standard) 380V	Locked current A(standard) 400V	Locked current A(standard) 575V	Locked current A(standard) 460V	Locked torque multiple (standard)%	Maximum torque multiple (standard)%	Minimum torque multiple (standard)%	Service factor	INS class	RPM	EFF %	Power factor
36	TXC 324T40U4B	91.0	45.5	55.1	52.3	36.4	40	60	351.1	333.5	232.0	290	140	200	100	1.15	F	1770	93	0.89
37	TXC 326T50U4B	113.7	56.9	68.8	65.4	45.5	50	60	438.8	416.9	290.0	362.5	140	200	100	1.15	F	1770	93	0.89
38	TXC364T60U4B	135.6	67.8	82.1	78.0	54.2	60	60	526.6	500.3	348.0	435	140	200	100	1.15	F	1775	93.6	0.89
39	TXC365T75U4B	166.7	83.4	100.9	95.9	66.7	75	60	656.7	623.9	434.0	542.5	140	200	100	1.15	F	1775	94.1	0.9
40	TXC405T100U4B	221.4	110.7	134.0	127.3	88.5	100	60	877.6	833.8	580.0	725	125	200	100	1.15	F	1780	94.5	0.9
41	TXC444T125U4B	-	136.8	165.6	157.4	109.5	125	60	1098.6	1043.6	726.0	907.5	110	200	100	1.15	F	1780	94.5	0.91
42	TXC445T150U4B	-	163.3	197.7	187.8	130.7	150	60	1313.4	1247.8	868.0	1085	110	200	100	1.15	F	1780	95	0.91
43	TXC447T200U4B	-	217.8	263.6	250.4	174.2	200	60	1755.3	1667.5	1160.0	1450	100	200	90	1.15	F	1780	95	0.91
44	TXC449T250U4B	-	272.2	329.5	313.1	217.8	250	60	2209.2	2098.8	1460.0	1825	80	175	75	1.15	F	1780	95	0.91
45	TXC449T300U4B	-	325.3	393.8	374.1	260.2	300	60	2663.2	2530.0	1760.0	2200	80	175	75	1.15	F	1781	95.4	0.91
46	TXC586/7T350U4B	-	379.5	459.4	436.4	303.6	350	60	3086.8	2932.5	2040.0	2550	80	175	75	1.15	F	1782	95.4	0.91
47	TXC586/7T400U4B	-	433.7	525.0	498.8	347.0	400	60	3510.5	3335.0	2320.0	2900	80	175	75	1.15	F	1783	95.4	0.91
48	TXC586/7T450U4B	-	488.0	590.7	561.1	390.4	450	60	3934.2	3737.5	2600.0	3250	80	175	75	1.15	F	1784	95.4	0.91
49	TXC 145T1U6B	3.1	1.5	1.9	1.8	1.2	1	60	18.2	17.3	12.0	15	170	265	120	1.15	F	1150	80	0.76
50	TXC 182T1.5U6B	4.3	2.1	2.6	2.5	1.7	1.5	60	24.2	23.0	16.0	20	165	250	115	1.15	F	1150	85.5	0.77
51	TXC 184T2U6B	5.7	2.8	3.4	3.3	2.3	2	60	30.3	28.8	20.0	25	160	240	110	1.15	F	1150	86.5	0.77
52	TXC 213T3U6B	8.4	4.2	5.1	4.8	3.4	3	60	38.7	36.8	25.6	32	155	230	110	1.15	F	1150	87.5	0.77
53	TXC 215T5U6B	14.0	7.0	8.5	8.0	5.6	5	60	55.7	52.9	36.8	46	150	215	105	1.15	F	1160	87.5	0.77
54	TXC 254T7.5U6B	20.5	10.2	12.4	11.8	8.2	7.5	60	76.9	73.0	50.8	63.5	150	200	105	1.15	F	1160	89.5	0.77
55	TXC 256T10U6B	27.3	13.7	16.5	15.7	10.9	10	60	98.1	93.2	64.8	81	150	200	105	1.15	F	1165	89.5	0.77
56	TXC 284T15U6B	40.1	20.1	24.3	23.1	16.1	15	60	140.4	133.4	92.8	116	140	200	100	1.15	F	1165	90.2	0.78
57	TXC 286T20U6B	53.5	26.8	32.4	30.8	21.4	20	60	175.5	166.8	116.0	145	135	200	100	1.15	F	1170	90.2	0.78
58	TXC 324T25U6B	65.0	32.5	39.3	37.4	26.0	25	60	220.9	209.9	146.0	182.5	135	200	100	1.15	F	1170	91.7	0.79
59	TXC 326T30U6B	78.0	39.0	47.2	44.8	31.2	30	60	263.3	250.1	174.0	217.5	135	200	100	1.15	F	1175	91.7	0.79
60	TXC364T40U6B	101.2	50.6	61.3	58.2	40.5	40	60	351.1	333.5	232.0	290	135	200	100	1.15	F	1175	93	0.8
61	TXC365T50U6B	126.5	63.3	76.6	72.8	50.6	50	60	438.8	416.9	290.0	362.5	135	200	100	1.15	F	1180	93	0.8
62	TXC404T60U6B	150.9	75.4	91.3	86.7	60.3	60	60	526.6	500.3	348.0	435	135	200	100	1.15	F	1180	93.6	0.8
63	TXC405T75U6B	186.2	93.1	112.7	107.1	74.5	75	60	656.7	623.9	434.0	542.5	135	200	100	1.15	F	1180	93.6	0.81
64	TXC444T100U6B	247.0	123.5	149.5	142.0	98.8	100	60	877.6	833.8	580.0	725	125	200	100	1.15	F	1180	94.1	0.81
65	TXC445T125U6B	-	154.4	186.9	177.5	123.5	125	60	1098.6	1043.6	726.0	907.5	125	200	100	1.15	F	1180	94.1	0.81
66	TXC447T150U6B	-	183.5	222.1	211.0	146.8	150	60	1313.4	1247.8	868.0	1085	120	200	100	1.15	F	1180	95	0.81
67	TXC449T200U6B	-	244.7	296.2	281.4	195.7	200	60	1755.3	1667.5	1160.0	1450	120	200	100	1.15	F	1180	95	0.81
68	TXC586/7T250U6B	-	305.8	370.2	351.7	244.7	250	60	2209.2	2098.8	1460.0	1825	100	175	90	1.15	F	1180	95	0.81
69	TXC586/7T300U6B	-	367.0	444.3	422.1	293.6	300	60	2663.2	2530.0	1760.0	2200	100	175	90	1.15	F	1180	95	0.81
70	TXC586/7T350U6B	-	428.2	518.3	492.4	342.5	350	60	3086.8	2932.5	2040.0	2550	100	175	90	1.15	F	1180	95	0.81
71	TXC586/7T400U6B	-	489.3	592.4	562.7	391.5	400	60	3510.5	3335.0	2320.0	2900	100	175	90	1.15	F	1180	95	0.81

Crusher Duty Motors

75HP thru 200HP Cast Iron TEFC

STANDARD FEATURES

- NEMA Design "C"
- 6 Lead – 460V
- Drive-end Roller Bearings
- Oversized Bearings on DE & ODE
- 4140 Carbon Steel Shaft
- Split Conduit Box is 90° Rotatable
- F1 to F2 Field Convertible (Shipped F1)



Crusher Duty Motors Technical Data

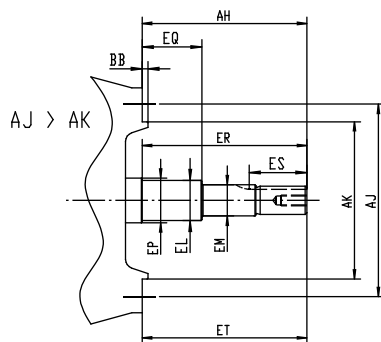
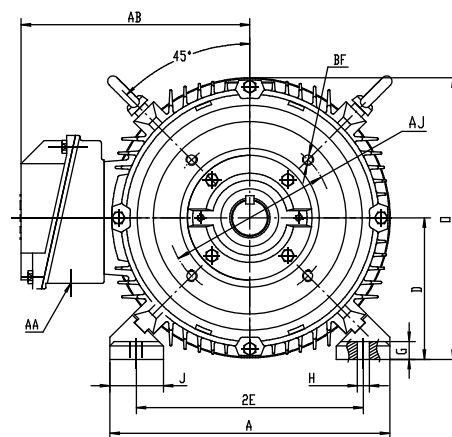
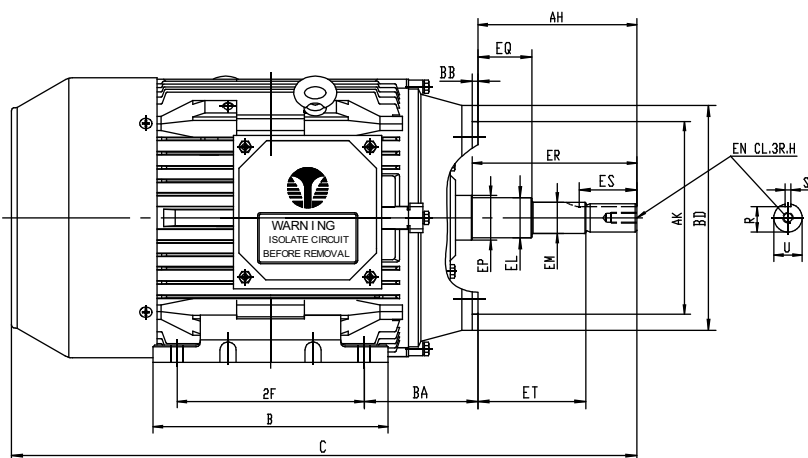
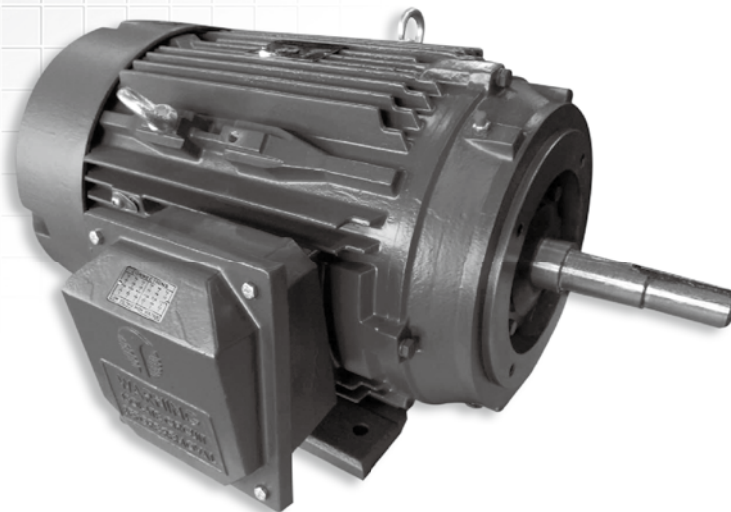
Model	Frame	HP	RPM	SF	Voltage	Hz	FLA	KVA Code	PF	Eff		DES	Ins Class	AMB	Enc	IP	LRA	LRT	BDT	Duty	Bearings	
										FL	3/4						460V	(%FL)	(%FL)		DE	NDE
TFC365T75U4B	365T	75	1775	1.15	460	60	85.8	K	87.0	94.1	93.5	C	F	40	TEFC	55	755	330	285	Cont.	NU313	6313 C3
TFC405T100U4B	405T	100	1780	1.15	460	60	115.2	H	86.0	94.5	94.3	C	F	40	TEFC	55	864	225	300	Cont.	NU316	6314 C3
TFC405T75U6B	405T	75	1185	1.15	460	60	88.3	J	85.0	93.6	93.8	C	F	40	TEFC	55	741	275	290	Cont.	NU316	6314 C3
TFC444T125U4B	444T	125	1780	1.15	460	60	142.4	K	87.0	94.5	94.4	C	F	40	TEFC	55	1281	265	380	Cont.	NU319	6319 C3
TFC445T150U4B	445T	150	1780	1.15	460	60	168.0	J	88.0	95.0	94.6	C	F	40	TEFC	55	1378	240	290	Cont.	NU319	6319 C3
TFC444T100U6B	444T	100	1180	1.15	460	60	115.7	J	86.0	94.1	94.0	C	F	40	TEFC	55	902	230	245	Cont.	NU319	6319 C3
TFC445T125U6B	445T	125	1180	1.15	460	60	144.6	J	86.0	94.1	94.1	C	F	40	TEFC	55	1128	275	240	Cont.	NU319	6319 C3
TFC447T200U4B	447T	200	1780	1.15	460	60	221.5	J	89.0	95.0	94.7	C	F	40	TEFC	55	1883	275	295	Cont.	NU319	6319 C3
TFC447T250U4B	449T	250	1780	1.15	460	60	273.8	H	90.0	95.0	94.7	C	F	40	TEFC	55	2163	256	265	Cont.	NU319	6319 C3
TFC447T150U6B	447T	150	1180	1.15	460	60	171.9	J	86.0	95.0	94.5	C	F	40	TEFC	55	1410	260	245	Cont.	NU319	6319 C3
TFC449T200U6B	449T	200	1180	1.15	460	60	226.6	J	87.0	95.0	94.5	C	F	40	TEFC	55	1813	240	245	Cont.	NU319	6319 C3

TFC Series NEMA JM JP Pump Motors

-1HP thru 100HP

STANDARD FEATURES

- Cast Iron frames
- IP 55 Rated
- MG1 Part 31 for VFD use
- Continuous Duty
- Dual Voltage
- 40°C Ambient Temperature Rating
- Double Lip Oil Seals
- Dual Oversized Bearings
- Multi mount Removable Feet
- Conduit Box is 90° Rotatable
- Stainless Steel Nameplate
- One-Way Brass Condensation Drains
- F1, F2, F3 Field Convertible (Shipped F1)



JM Pump Motors Overall & Installation Dimensions

Frame	U	AJ	AK	BB	BD max	R	S	EL	EM	EP min	AH	EQ	ER min	ES min	ET	BF			EN		
																No.	Screw SZ	Depth	Screw SZ	Depth	Thread L
143JM-145JM	0.8745	5.875	4.500	0.156	6.62	0.771	0.190	1.156	1.0000	1.156	4.281	0.640	4.25	1.65	2.890	4	3/8-16	0.56	3/8-16	1.12	0.75
182JM-184JM	0.8745		4.497	0.125		0.756	0.188	1.154	0.9995		4.219	0.610									
213JM-215JM	0.8745	7.25	8.500	0.312	9.0	0.771	0.190	1.250	1.0000	1.25	4.281	0.640	4.25	1.65	2.890	4	1/2-13	0.75	3/8-16	1.12	0.75
254JM-256JM	1.2495		4.497	0.125		0.756	0.188	1.248	0.9995		4.219	0.610									
284JM-286JM	1.2495	11.0	12.500	0.312	14.0	1.112	0.252	1.750	1.3750	2.125	5.281	0.645	5.25	2.53	3.015	4	5/8-11	0.94	1/2-13	1.5	1.0
324JM-326JM	1.2495		12.495	0.250		1.097	0.250	1.748	1.3745		5.219	0.605									
364JM-365JM	1.2495	11.0	12.500	0.312	14.0	1.112	0.252	1.750	1.3750	2.125	5.281	0.645	5.25	2.53	3.015	8	5/8-11	0.94	1/2-13	1.5	1.0
404JM-405JM	1.2495		12.495	0.250		1.097	0.250	1.748	1.3745		5.219	0.605									

Frame	Foot Mounting								General					
	A	B	G	J	2E	2F	H	BA	C	D	O	AA	AB	
143JM	7	5.12	0.55	1.46	5.5	4	0.34	2.25	15.13	3.5	7.01	3/4	5.9	
145JM		6.1				16.13								
182JM	9	6.1	0.675	1.77	7.5	4.5	0.41	3.5	17.43	4.5	8.83	3/4	7.17	
184JM		7.09				18.43								
213JM	10.27	7.48	0.71	1.81	8.5	5.5	0.41	4.25	20.5	5.25	10.35	1/2	7.95	
215JM		8.98				22								
254JM	12.36	10.35	0.63	2.36	10	8.25	0.53	4.25	25.3	6.25	12.44	1/4	10.1	
256JM		12.05				27.05								
284JM	13.8	12.2	0.985	2.95	11	9.5	0.53	4.75	28.13	7	13.9	1/2	10.83	
286JM		13.7				29.53								
324JM	15.4	13	1.12	3.15	12.5	10.5	0.66	5.25	29.84	8	15.9	1/2	13	
326JM		14.5				31.34								
364JM	17.17	14.2	1.24	3.15	14	11.25	0.66	5.88	33.47	9	18	1/2	14.2	
365JM		15.2				34.47								
404JM	19.06	17.44	1.33	3.15	16	12.25	0.81	6.62	35.91	10	20	3	15.3	
405JM						13.75			37.75					

JP Pump Motors Overall & Installation Dimensions

Frame	U	AJ	AK	BB	BD max	R	S	EL	EM	EP min	AH	EQ	ER min	ES min	ET	BF			EN		
																No.	Screw SZ	Depth	Screw SZ	Depth	Thread L
143JP-145JP	0.8745	5.875	4.500	0.156	6.62	0.771	0.190	1.156	1.0000	1.156	7.343	1.578	7.312	1.65	5.952	4	3/8-16	0.56	3/8-16	1.12	0.75
182JP-184JP	0.8745		4.497	0.125		0.756	0.188	1.154	0.9995		7.281	1.548									
213JP-215JP	1.2495	7.25	8.500	0.312	9.0	1.112	0.252	1.750	1.3750	1.75	8.156	2.39	8.125	1.65	5.89	4	1/2-13	0.75	3/8-16	1.12	0.75
254JP-256JP	1.2495		8.497	0.250		1.097	0.250	1.748	1.3745		8.094	2.36									
284JP-286JP	1.2495	11.0	12.500	0.312	14.0	1.112	0.252	1.750	1.3750	2.125	8.156	2.395	8.125	2.53	5.895	4	5/8-11	0.94	1/2-13	1.5	1.0
324JP-326JP	1.2495		12.495	0.250		1.097	0.250	1.748	1.3745		8.094	2.360									
364JP-365JP	1.6245	11.0	12.500	0.312	14.0	1.416	0.377	2.125	1.7500	2.5	8.156	2.395	8.125	2.53	5.895	4	5/8-11	0.94	1/2-13	1.5	1.0
365JP	1.6240		12.495	0.250		1.401	0.375	2.123	1.7495		8.094	2.356									

Frame	Foot Mounting								General					
	A	B	G	J	2E	2F	H	BA	C	D	O	AA	AB	
143JP	7	5.12	0.55	1.46	5.5	4	0.34	2.25	18.19	3.5	7.01	3/4	5.9	
145JP		6.1				19.19								
182JP	9	6.1	0.675	1.77	7.5	4.5	0.41	3.5	20.49	4.5	8.83	3/4	7.17	
184JP		7.09				21.49								
213JP	10.27	7.48	0.71	1.81	8.5	5.5	0.41	4.25	24.38	5.25	10.35	1/2	7.95	
215JP		8.98				25.88								
254JP	12.36	10.35	0.63	2.36	10	8.25	0.53	4.25	28.18	6.25	12.44	1/4	10.1	
256JP		12.05				29.93								
284JP	13.8	12.2	0.985	2.95	11	9.5	0.53	4.75	31.01	7	13.9	1/2	10.83	
286JP		13.7				32.51								
324JP	15.4	13	1.12	3.15	12.5	10.5	0.66	5.25	32.72	8	15.9	1/2	13	
326JP		14.5				34.22								
364JP	17.17	14.2	1.24	3.15	14	11.25	0.66	5.88	36.35	9	18	1/2	14.2	
365JP		15.2				37.35								

JM-JP Pump Motors Technical Data

HP	Full Load Speed (r/min)	NEMA Frame	Full Load Current			Eff. 100%FL	Power Factor (cosΦ)	Full Load Torque lbf-ft	KVA Code	Locked Rotor		BDT (%FL)	Service Factor	Moment of inertia (lb·ft ²)
			I _L 230V (A)	I _L 460V (A)	I _L 575V (A)					LRA 230V (A)	LRT (%FL)			
1	3450	143T	3.04	1.52	1.22	77	0.8	1.52	L	23	241	326	1.25	0.0278
	1735	143T	3.00	1.50	1.20	85.5	0.73	3.03	J	19	224	270	1.25	0.0657
	1150	145T	3.39	1.69	1.36	82.5	0.67	4.57	H	17	213	248	1.25	0.1153
1.5	3450	143T	4.00	2.00	1.61	84	0.83	2.28	K	32	312	346	1.25	0.0373
	1715	145T	4.33	2.16	1.73	86.5	0.75	4.60	L	34	311	351	1.25	0.0885
	1150	182T	4.79	2.40	1.92	87.5	0.67	6.85	L	35	256	362	1.25	0.4286
2	3450	145T	5.15	2.58	2.06	85.5	0.85	3.05	L	47	283	362	1.25	0.0470
	1730	145T	5.55	2.78	2.22	86.5	0.78	6.07	K	42	282	304	1.25	0.1113
	1150	184T	6.22	3.11	2.49	88.5	0.68	9.14	L	46	270	346	1.25	0.5700
3	3510	182T	7.30	3.65	2.92	86.5	0.89	4.49	K	62	462	328	1.25	0.1115
	1755	182T	7.95	3.97	3.18	89.5	0.79	8.98	L	71	288	384	1.25	0.2831
	1170	213T	8.84	4.42	3.54	89.5	0.71	13.47	L	68	253	336	1.25	1.0268
5	3510	184T	11.76	5.88	4.70	88.5	0.9	7.48	L	121	275	382	1.25	0.1607
	1745	184T	12.60	6.30	5.04	89.5	0.83	15.05	K	108	253	362	1.25	0.3669
	1165	215T	13.77	6.88	5.51	89.5	0.76	22.55	K	105	241	318	1.25	1.2912
7.5	3520	213T	17.24	8.62	6.90	89.5	0.91	11.19	J	149	213	319	1.25	0.3479
	1750	213T	18.23	9.12	7.29	91.7	0.84	22.52	L	181	264	383	1.25	0.9082
	1170	254T	20.31	10.15	8.12	91	0.76	33.68	J	143	214	253	1.25	2.0700
10	3520	215T	22.57	11.28	9.03	90.2	0.92	14.93	K	214	245	346	1.25	0.4533
	1750	215T	24.00	12.00	9.61	91.7	0.85	30.02	L	248	274	383	1.25	1.1149
	1170	256T	26.73	13.36	10.69	91	0.77	44.91	J	188	204	249	1.25	2.6008
15	3540	254T	35.1	17.54	14.0	91	0.88	22.26	L	345	238	363	1.25	1.2283
	1760	254T	36.2	18.10	14.5	92.4	0.84	44.78	K	329	269	344	1.25	2.2164
	1175	284T	40.3	20.15	16.1	91.7	0.76	67.07	M	410	281	268	1.25	5.7264
20	3530	256T	45.2	22.61	18.1	91	0.91	29.77	K	425	289	321	1.25	1.3261
	1760	256T	45.8	22.88	18.3	93	0.88	59.71	K	406	255	315	1.25	2.7824
	1175	286T	51.1	25.53	20.4	91.7	0.8	89.43	L	481	280	338	1.25	6.6386
25	3550	284TS	60.1	30.03	24.0	91.7	0.85	37.00	M	664	322	445	1.25	1.8016
	1770	284T	58.8	29.42	23.5	93.6	0.85	74.21	K	551	275	356	1.25	3.5714
	1180	324T	61.4	30.69	24.6	93	0.82	111.32	M	670	313	356	1.25	9.3474
30	3550	286TS	70.4	35.21	28.2	91.7	0.87	44.40	L	725	286	363	1.25	1.9359
	1770	286T	69.0	34.49	27.6	93.6	0.87	89.05	K	618	276	327	1.25	4.0399
	1180	326T	72.8	36.39	29.1	93	0.83	133.58	M	833	309	408	1.25	10.6666
40	3560	324TS	90.1	45.04	36.0	92.4	0.9	59.04	H	669	220	240	1.25	3.3692
	2770	324T	97.1	48.54	38.8	94.1	0.82	75.87	L	1004	373	343	1.25	7.1424
	1180	364T	93.6	46.82	37.5	94.1	0.85	178.11	J	778	264	287	1.15	15.8991
50	3560	326TS	113.1	56.56	45.2	93	0.89	73.79	H	853	276	291	1.25	4.0145
	1770	326T	118.0	58.98	47.2	94.5	0.84	148.42	K	1125	335	331	1.25	8.3396
	1180	365T	119.9	59.94	48.0	94.1	0.83	222.63	H	849	224	245	1.15	18.2263
60	3560	364TS	136.4	68.20	54.6	93.6	0.88	88.55	L	1451	431	359	1.15	7.2912
	1775	364T	135.9	67.97	54.4	95	0.87	177.61	L	1478	353	320	1.15	16.1862
	1185	404T	141.5	70.77	56.6	94.5	0.84	266.03	J	1113	238	242	1.15	28.8796
75	3560	365TS	166.7	83.36	66.7	93.6	0.9	110.69	K	1651	362	328	1.15	8.5000
	1775	365T	167.3	83.65	66.9	95.4	0.88	222.01	L	1727	325	378	1.15	18.9957
	1185	405T	172.8	86.41	69.1	94.5	0.86	332.54	H	1279	215	247	1.15	34.1302
100	3570	405TS	218.7	109.34	87.5	94.1	0.91	147.18	K	2110	288	306	1.15	11.8424
	1780	405T	230.9	115.47	92.4	95.4	0.85	295.18	K	2240	336	291	1.15	20.8694